

## TRIDENT™ QW3100

Poseidon Systems' Trident QW3100 is a real-time, in-line sensing technology for monitoring the health state of lubricating fluids. The device provides continuous insight to oil health, promoting condition-based maintenance practices such as optimized fluid drain intervals and reduced dependence on offline analysis.

The QW3100 utilizes electrochemical impedance spectroscopy (EIS) technology to measure a fluid's impedance spectrum and track its health. The impedance spectrum provides multiple condition indicators which can be used to assess the lubricant's additive package health, monitor breakdown, and identify the presence of contaminants. Additionally, an integrated water-in-oil sensor provides direct measurement of dissolved water content in the lubricant.

The QM3100 provides you with the power to improve your asset health management practices by enabling informed maintenance decisions based on real-time information.

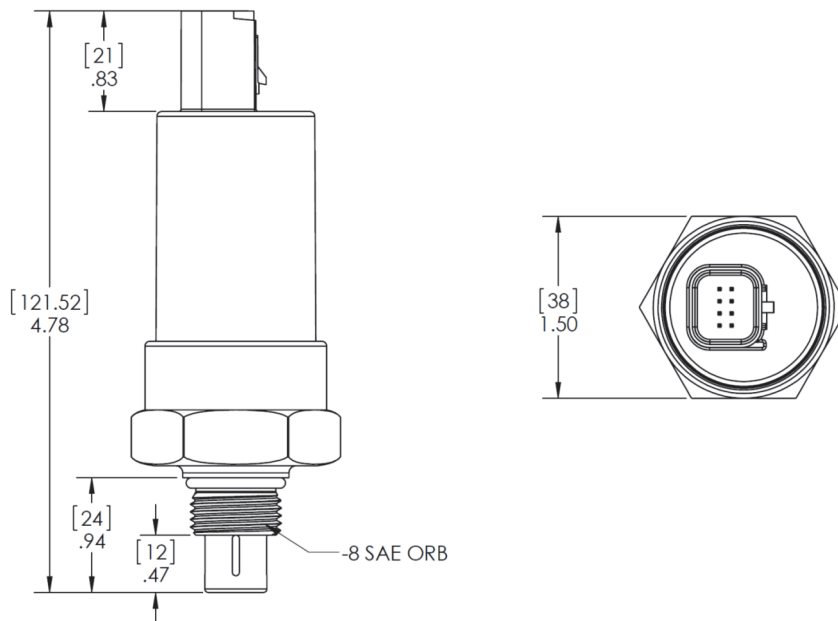
- Optimize oil drain and sampling intervals
- Improve asset health state awareness
- Identify contamination events
- Detect oil changes and top-up events
- Verify proper lubrication system maintenance
- Track water contamination levels

- CAN-J1939 compatible
- RS485-Modbus RTU compatible
- Multi-frequency analysis
- Integrated water contamination sensor
- Small form factor, easy to install
- Supports all oil types



## ТЕХНИЧЕСКИЕ ХАРАКТЕРИСТИКИ

<b>Fluid Temperature</b>	-40 to 302°F (-40 to 150°C)
<b>Working Pressure</b>	150 psi (10.3 bar) max
<b>Flow Rate</b>	Flow rate independent
<b>Viscosity</b>	Viscosity independent
<b>Water Measurement Accuracy</b>	+/-3% RH
<b>Port Specification</b>	3/4"-16 or M16
<b>Ingress Protection</b>	IP67
<b>Communications</b>	CAN J1939 / RS485 Modbus RTU
<b>Weight</b>	0.4 lbs (0.18kg)
<b>Power Supply</b>	10-30 Vdc, 1.5 W max



**Poseidon Systems, LLC**  
200 Canal View Blvd.  
Rochester, NY 14623



**Телефон:**  
(585) 239-6025  
**Факс:**  
(585) 625-0408



[www.PoseidonSys.com](http://www.PoseidonSys.com)